



MultiMag™



- Meets AWWA C708 Accuracy
- Hot or Cold meter models
- Pulse Output
- NSF61 and NSF372 approved
- Gallons or Cubic Meter Register

The MultiMag™ series water meters utilize multijet principles for accurate water measurement and are known for their simplicity, longevity and accuracy. The MultiMag™ is tested to the most recent AWWA C708 accuracy standards. The pulse output capability allows for the MultiMag™ to be used for remote reading. The MultiMag™ is intended for horizontal applications. In addition to the various sizes, the MultiMag™ is also available in hot and cold versions.

Technical Characteristics

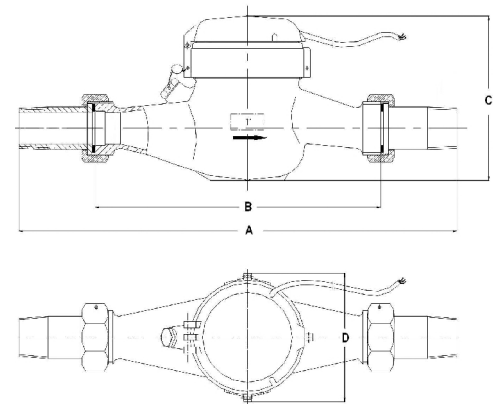
TEMPERATURECold105° F, 41° C
 Hot194° F, 90° C

MAX PRESSURE150psi

MATERIALSBody.....ECO Brass - NO LEAD
 Internals.....Thermoplastic

PULSE OUTPUT.....6mA @ 12vdc

PULSE VALUE.....1/1gal (1/1L) or 1/10gal (1/10L)



| FLOW RATE - gpm / (m³/hr) | | | | | |
|---------------------------|---------------------------|----------------------------|-----------------------------|---------------------------|---------|
| | 3/4" (19mm) | 1" (25mm) | 1-1/2" (38mm) | 2" (50mm) | % Error |
| GPM | | | | | |
| MIN | 0.5 (0.11) | 0.75 (0.17) | 1.5 (0.34) | 2 (0.45) | 3 |
| MAX | 30 (6.8) | 50 (11.4) | 100 (22.7) | 160 (36) | 1.5 |
| CONTINUOUS | 15 (3.4) | 25 (5.7) | 50 (11.4) | 80 (18) | |
| RANGE | 2-30 (0.45-6.8) | 3-50 (0.68-11.4) | 5-100 (11.1-22.7) | 8-160 (1.18-36) | |

| DIMENSIONS - Inches / (mm) | | | | |
|----------------------------|--------------------------|--------------------------|---------------------------|---------------------------|
| | 3/4" (19mm) | 1" (25mm) | 1-1/2" (38mm) | 2" (50mm) |
| A | 11.5" (292) | 15.6" (396) | 17.8" (452) | 21.0" (533) |
| B | 7.5" (190.5) | 10.75" (273) | 12.625" (320) | 15.25" (387) |
| C | 5.3" (134.6) | 5.3" (134.6) | 6.8" (172.7) | 6.8" (172.7) |
| D | 3.9" (99) | 3.9" (99) | 4.8" (122) | 4.8" (122) |
| Weight | 4 lb. (1.8 kg) | 5 lb. (2.3 kg) | 10 lb. (4.5 kg) | 14 lb. (6.4 kg) |